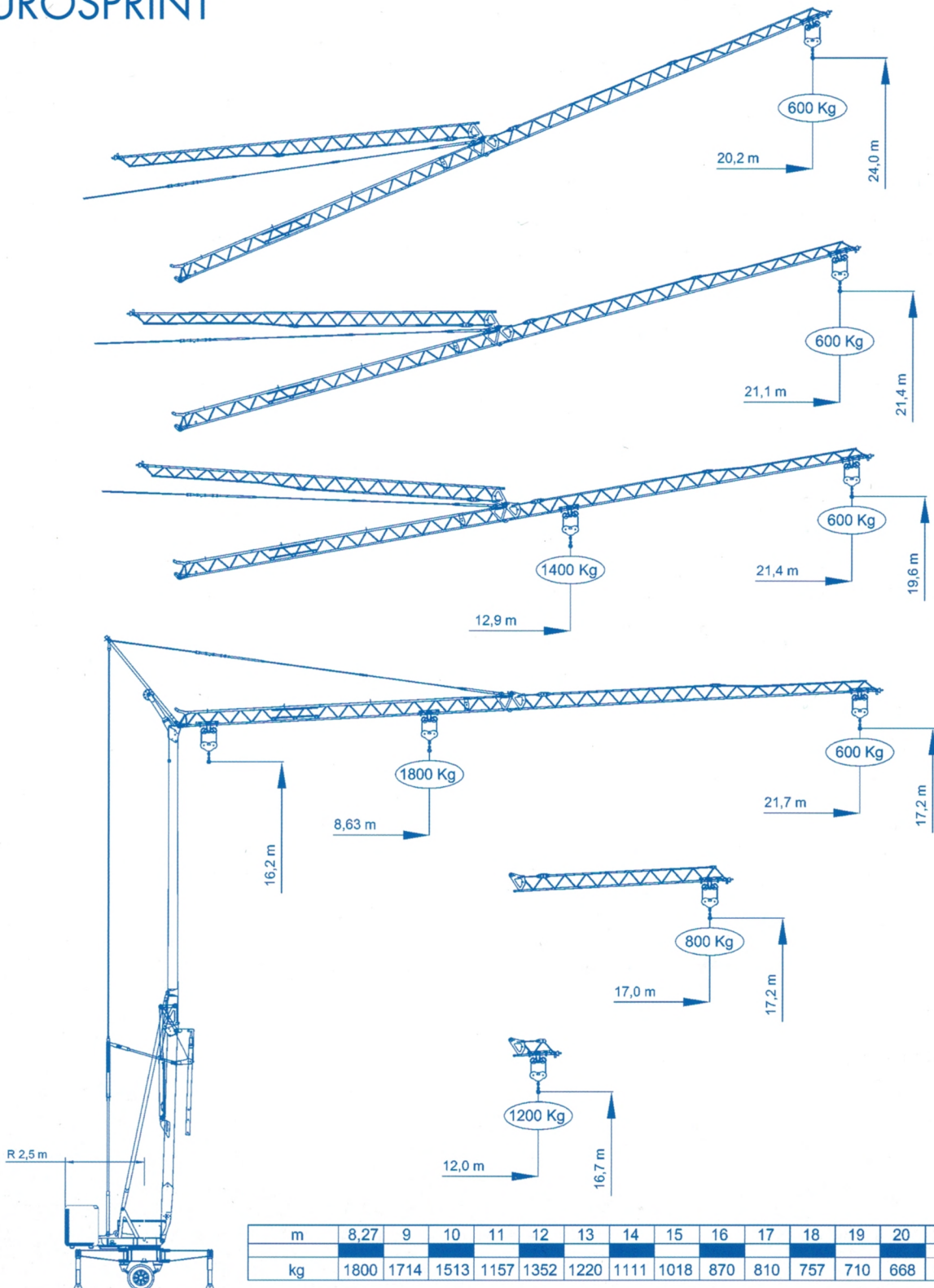
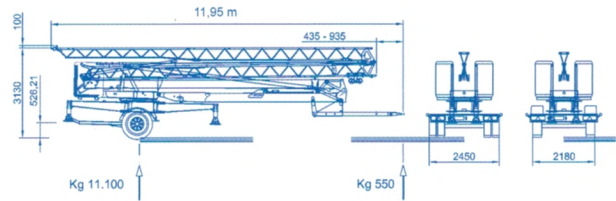
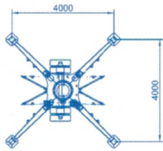
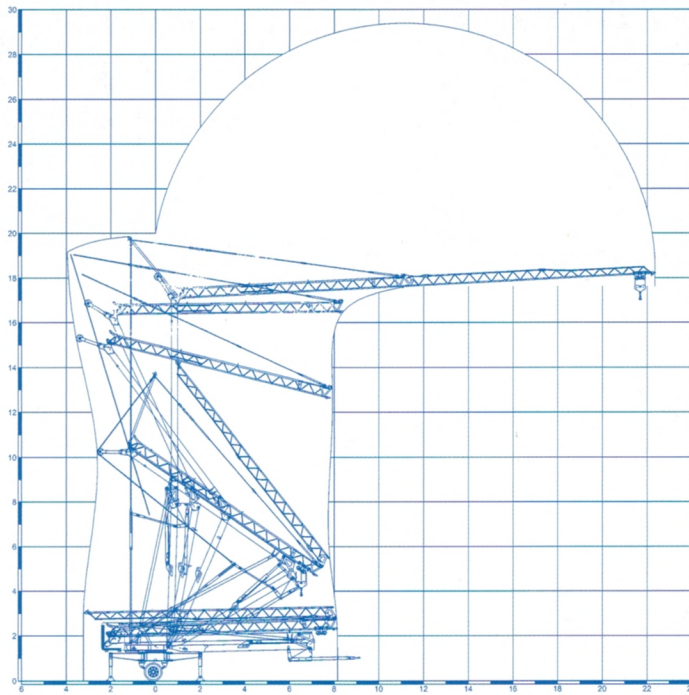


UNTENDREHER EUROPRINT





| | | | | | | | | |
|---------------------|--------------|---------|-----------|-------|-------------|------|------|-----|
| 50 Hz V +10%-10% | = | 230 V | | = | 400 V | | | |
| | | 3kW | (*4,5 kW) | | 6 kW | | | |
| m/l' kg kW | | | | | | | | |
| | 6.7 | 13.5(*) | 23.5 | 37(*) | 6.7 | 13.5 | 23.5 | 37 |
| | 1800 | 1800 | 700 | 700 | 1800 | 1800 | 700 | 700 |
| 5,5 (Inverter) | | | | | | | | |
| m/l' kW | | | | | | | | |
| | 11.8 | | 18,9 | | 35.4 (✓ 26) | | | |
| 1.85 (Inverter) | | | | | | | | |
| n/l' kW | | | | | | | | |
| | 0.22 | | 0.56 | | 1.12 | | | |
| 1.2 (Inverter) | | | | | | | | |
| min kW | | | | | | | | |
| | | | 5 | | | | | |
| 1.5 | | | | | | | | |
| | 25 - 80 km/h | | 6900 Kg | | 2 x 2375 kg | | | |

EUROGRU®

Am Dornbusch 10, 64390 Erzhausen

Telefon: +49 (0) 6150 13440

Fax: +49 (0) 6150 7002